

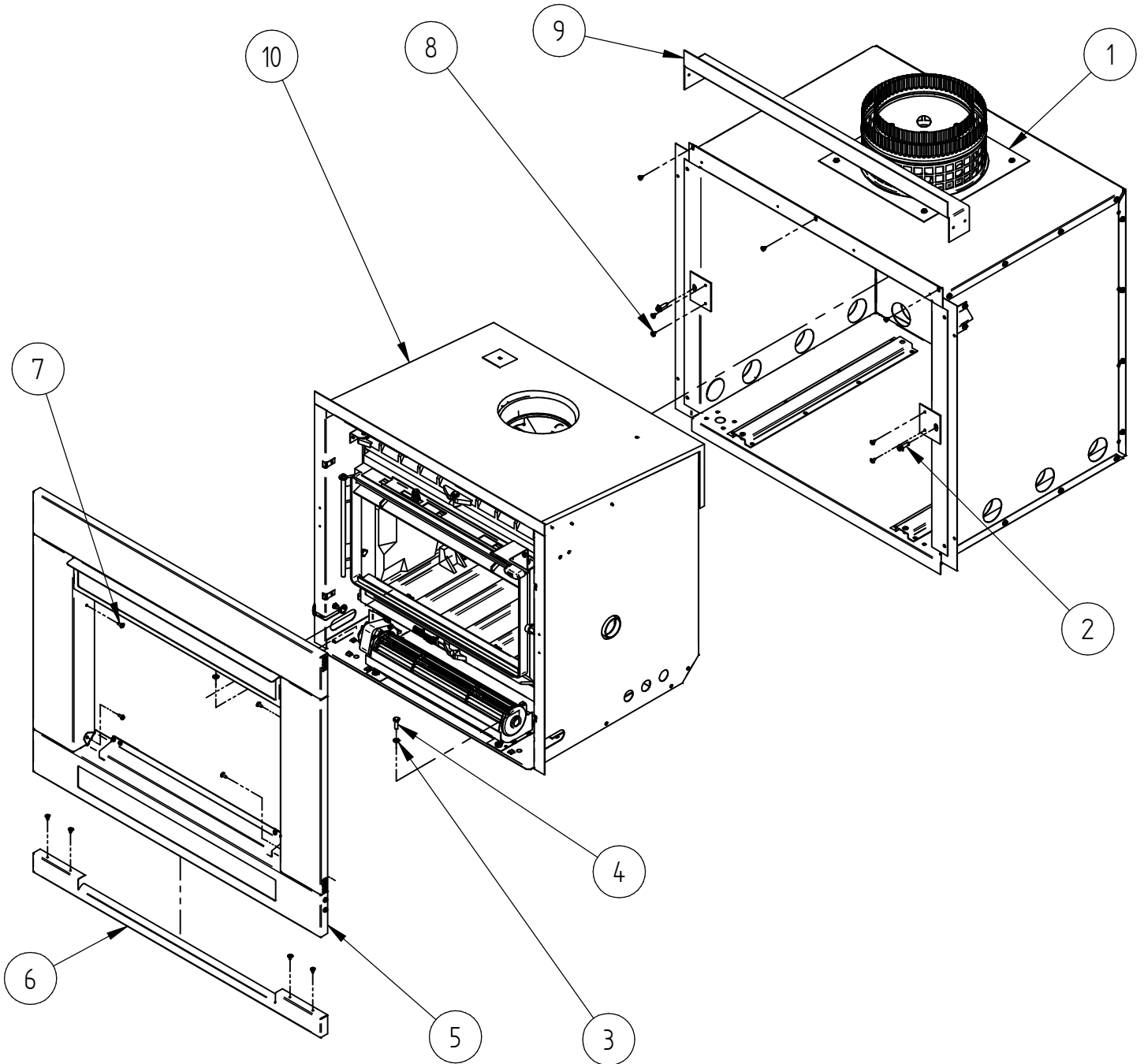
Masport[®] Heating

INSERT & INBUILT WOOD FIRES

I5000 - AUSTRALIA						
Descriptions	Item No.	MARKET	FUEL TYPE	FINISH	YEAR	FAN
Fire Box	993916	AU	HARDWOOD	-NA.-	14-Dec-2010	YES
Fascia	993918			Metallic Black Paint		
ZC Box	993919			-NA.-		
KIT CODE	DESCRIPTION		CONTENTS			
MAW2068	AU INSERT KIT		993916 + 993918			
MAW2069	AU INBUILT / ZC KIT		993916 + 993918 + 993919			



OVER ALL SCHEMATIC FOR I5000 (AU) MASONRY & INBUILT / ZC COMPONENTS

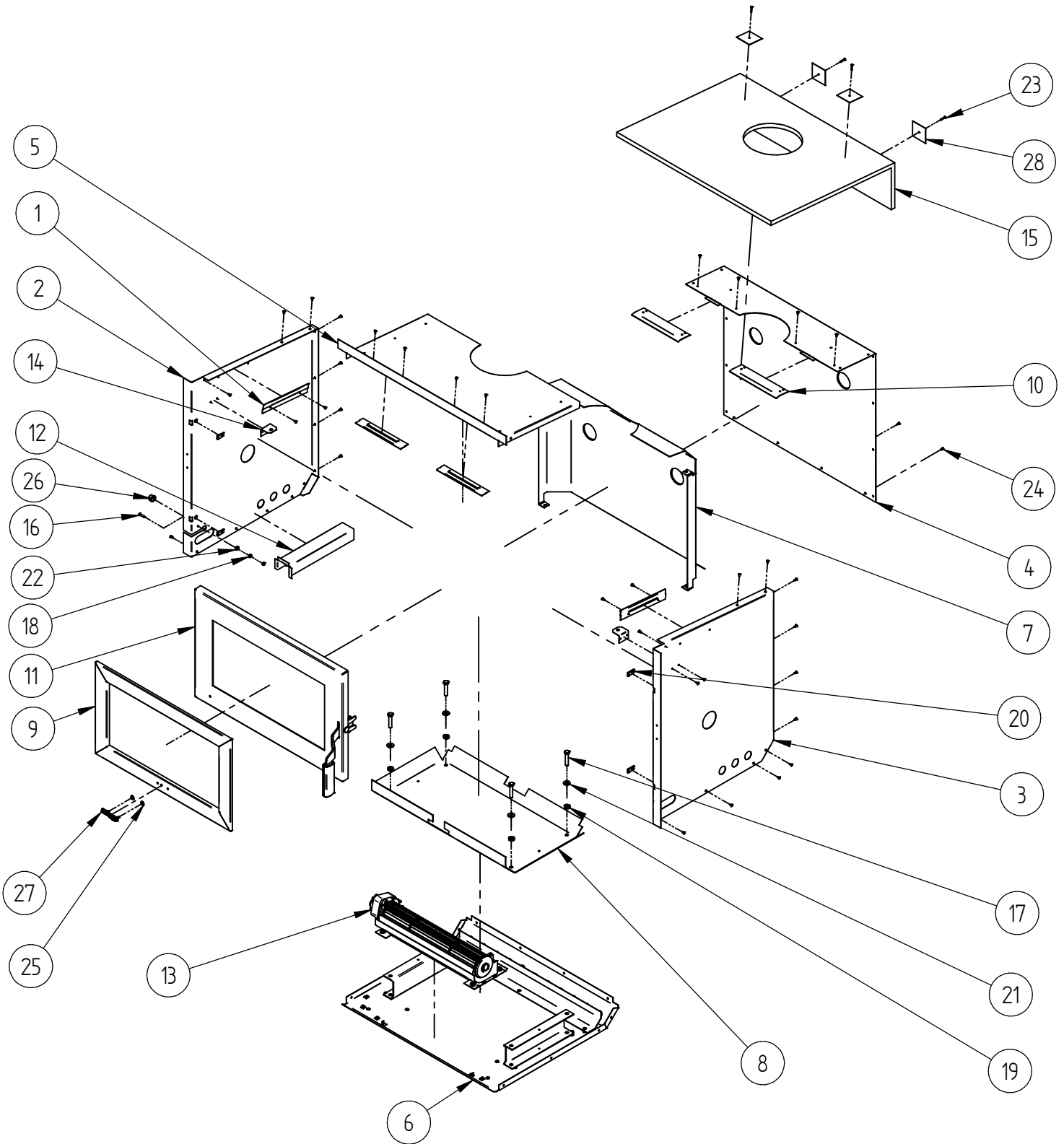


When ordering PLEASE QUOTE PART ID along with Finish Suffix (if applicable)

MASONRY & INBUILT / ZC COMPONENTS				
ITEM	Part ID	Model	Descriptions	Qty
		993916		
1	993919	-	ZERO CLEARANCE BOX I5000 NZ 2010	1
2	521637	-	SCREW; S/T 12GX25 TIMBERTITE	2
3	523031	-	WASHER; FLAT M6 ZP	2
4	521054	-	SCREW; M6X20 HEX ZP	2
5	993918	-	FASCIA I5000 NZ MAT BLK ENL PKD	1
6	993667	V02	FASCIA BTM PANEL ZC I5000 MAT BLK EN	1
7	521645	-	SCREW;S/T8GX1/2"MUSH FLNGE POZI BLK	4
8	521627	-	SCREW;S/T8GX3/8"MUSH FLNGE POZI BLK	11
9	993708	-	SUPPORT ANGLE WALL PANEL ZC KT I5000	1
10	993916	-	W/F I5000 AU 2010 MAT BLK ENL	1

When ordering PLEASE QUOTE PART ID along with Finish Suffix (if applicable)

PANELS, DOOR AND PEDESTAL

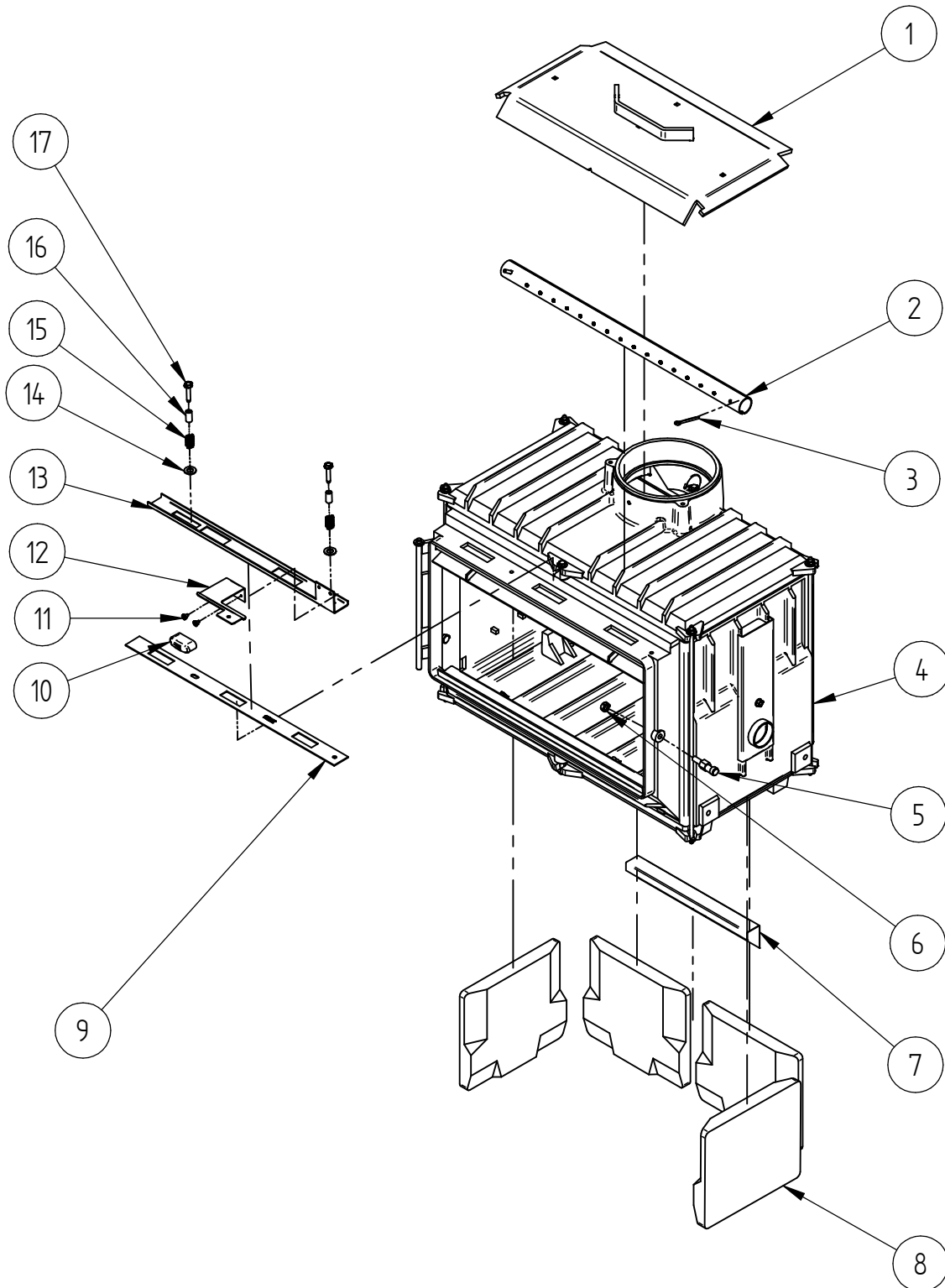


When ordering PLEASE QUOTE PART ID along with Finish Suffix (if applicable)

PANELS, DOOR AND PEDESTAL				
Item	Part ID	Model	Descriptions	Qty
		993916		
1	986514	-	CASE OUTER, GUIDE RAIL LE	4
2	993602	-	I5000 CABINET L/H PANEL	1
3	993603	-	I5000 CABINET R/H PANEL	1
4	993604	-	I5000 H/C REAR PANEL	1
5	993605	-	I5000 TOP CABINET PANEL	1
6	933607	-	I5000 BASE PANEL ASSEMBLY	1
7	993608	-	I5000 HEAT SHIELD REAR	1
8	993609	-	I5000 H/S BASE PANEL	1
9	993623	V05	TRIM- DOOR, ASSY. I5000	1
10	993637	-	I5000 CABINET JOINER PLATE	2
11	993620	-	SEE DOOR ASSEMBLY PAGE	1
12	993296	-	SHIELD-LOOM, LE4	1
13	993631	-	FAN ASSY-2 SP W/F I5000	1
14	993704	-	I5000 CENTRALISING F/B BRACKET	2
15	993666	-	INSULATION BLANKET TOP I5000	1
16	521015	-	SCREW; M4X16 PAN SLOT ZP	1
17	521070	-	SCREW; M8X40 HEX ZP	4
18	522104	-	NUT; HEX STD M4 ZP	2
19	522118	-	NUT; HEX STD M8 ZP	4
20	522400	-	NUT; SPIRE 8G BLK	4
21	523034	-	WASHER; FLAT M8X19X1.6 ZP	4
22	523205	-	WASHER; STAR M4 EXT	1
23	524004	-	RIVET; 73 AS 4-9	4
24	524008	-	RIVET; 73 MS 4-2	43
25	526001	-	CLIP; STARLOCK 4 DIA SLP04	2
26	529400	-	GROMMET; PLASTIC 22-PLB16	1
27	587836	-	BADGE MASPORT CAST	1
28	MIB00065	-	MIB CABINET WASHER	4

When ordering PLEASE QUOTE PART ID along with Finish Suffix (if applicable)

AIRSLIDE, BAFFLE, BRICKS AND FIREBOX

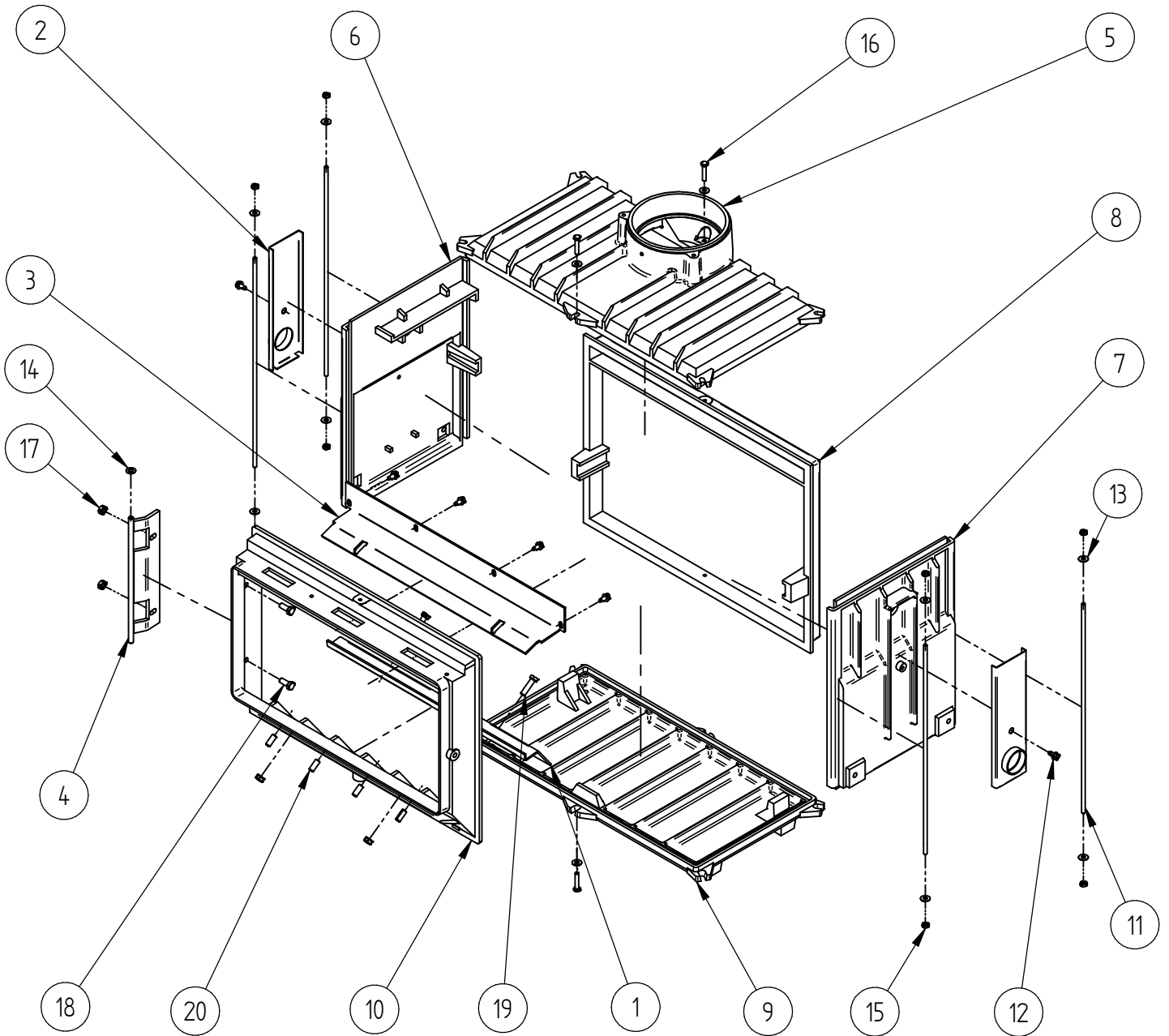


When ordering PLEASE QUOTE PART ID along with Finish Suffix (if applicable)

AIRSLIDE, BAFFLE, BRICKS AND FIREBOX				
ITEM	Part ID	Model	Descriptions	Qty
		993916		
1	993642	-	BAFFLE STEEL WELDED I5000	1
2	994229	-	TUBE-SEC AIR, F3000 S/S	1
3	525105	-	PIN; COTTER 4.0X40 S304	1
4	993600	-	F/B ASSY I5000 AU	1
5	594520	-	PIN-DOOR LATCH COLORADO/TOR BZP	1
6	522118	-	NUT; HEX STD M8 ZP	1
7	994258	-	CHANNEL-BRICK RETAINER F2000	1
8	587807	-	BRICK-F/B, F2000, F3000 25X185X213	4
9	993662	-	PLATE BACK METER I5000 AU	1
10	593568	-	AIR SLIDE KNOB PUSH ON PLASTIC	1
11	521627	-	SCREW;S/T8GX3/8" MUSH FLNGE POZI BLK	2
12	993629	-	EXTENSION AIRSLIDE BRACKET I5000	1
13	993627	-	SLIDE AIR INLET I5000 AU	1
14	523021	-	WASHER; FLAT M10X19X1.6 ZP	2
15	593711	-	SPRING COMPRESSN AIR INLET I5000	2
16	593712	-	SPACER AIR SLIDE I5000	2
17	521634	-	SCREW;S/T M6X30HEX FLNGE ZP TAPTITE	2

When ordering PLEASE QUOTE PART ID along with Finish Suffix (if applicable)

FIREBOX DETAILS

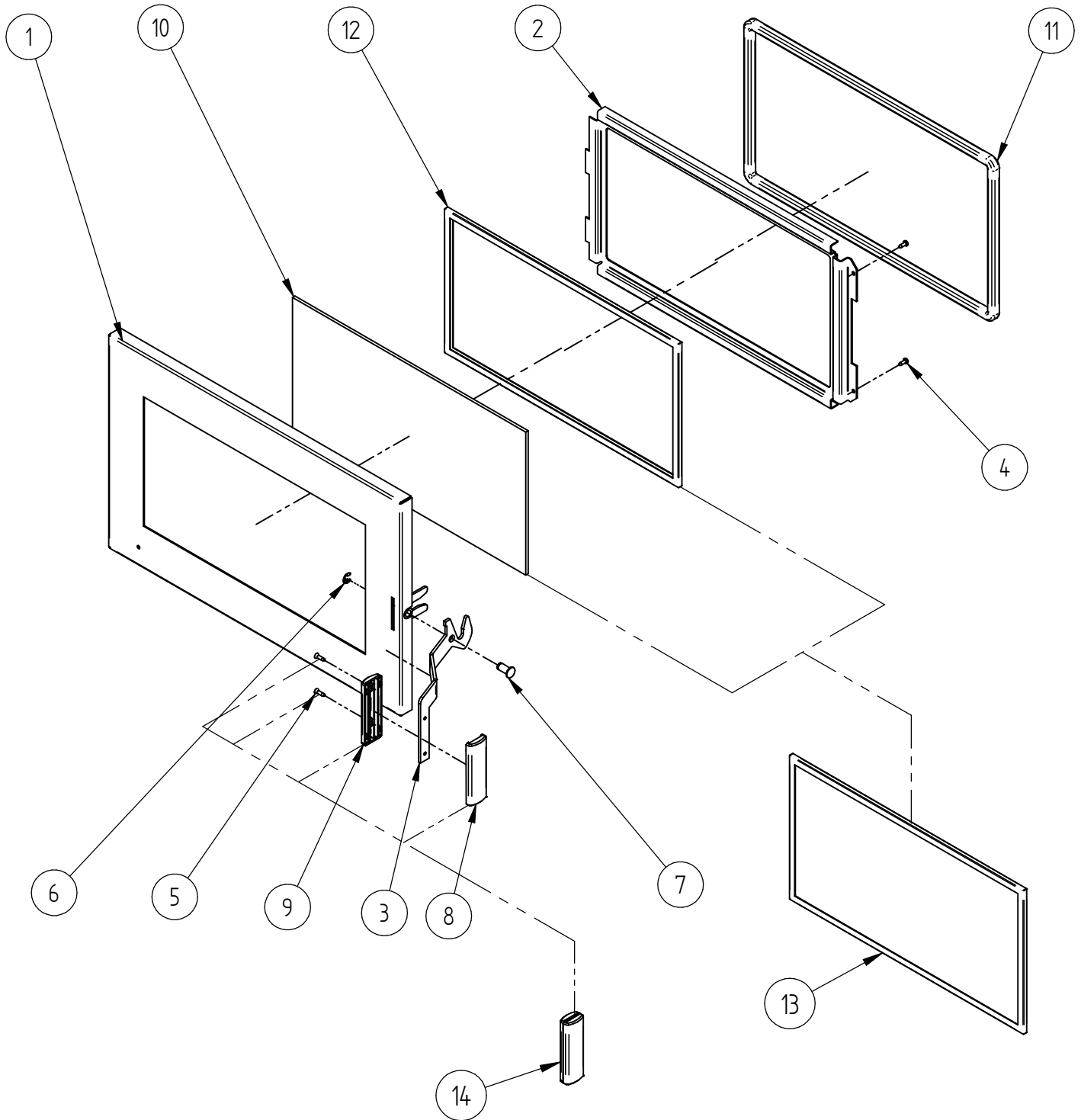


When ordering PLEASE QUOTE PART ID along with Finish Suffix (if applicable)

FIREBOX				
Item	Part ID	Models	Descriptions	Qty
		993916		
1	987551	-	PLATE - BASE AIR	1
2	993628	-	15000 A/T CHANEL COVER ASM	2
3	993644	-	15000 F/B AIR DEFLECTOR ASSM	1
4	993655	-	15000 HINGE ASSEMBLY	1
5	686502	-	F/B TOP LE5 PROVINCIAL	1
6	686645	-	F/B SIDE LH LE3/5000S2/PAN/VERONA	1
7	686646	-	F/B SIDE RH LE3/5000S2/PAN/VERONA	1
8	686680	-	F/B BACK LE5 PROVINCIAL	1
9	686681	-	F/B BOTTOM LE3/5/VER-SET 1 &7	1
10	686800	-	F/B FRONT LE PROVINCIALS2	1
11	984598	-	ROD; TIE M6X 420	4
12	521601	-	SCREW; S/T 1/4"X1/2" HEX FLANGE ZP	6
13	523007	-	WASHER; FLAT 1/4"X5/8"X0.049" ZP	12
14	523019	-	WASHER; FLAT 5/16"X5/8"X16G ZP	6
15	522117	-	NUT; HEX STD M6 ZP	8
16	521059	-	SCREW; M6X30 HEX ZP	4
17	522118	-	NUT; HEX STD M8 ZP	4
18	521066	-	SCREW; M8X20 HEX ZP	2
19	521068	-	SCREW; M8X30 HEX ZP	2
20	525007	-	PIN; TENSION 8X20 BLK BISSELL 001791	4

When ordering PLEASE QUOTE PART ID along with Finish Suffix (if applicable)

DOOR ASSEMBLY

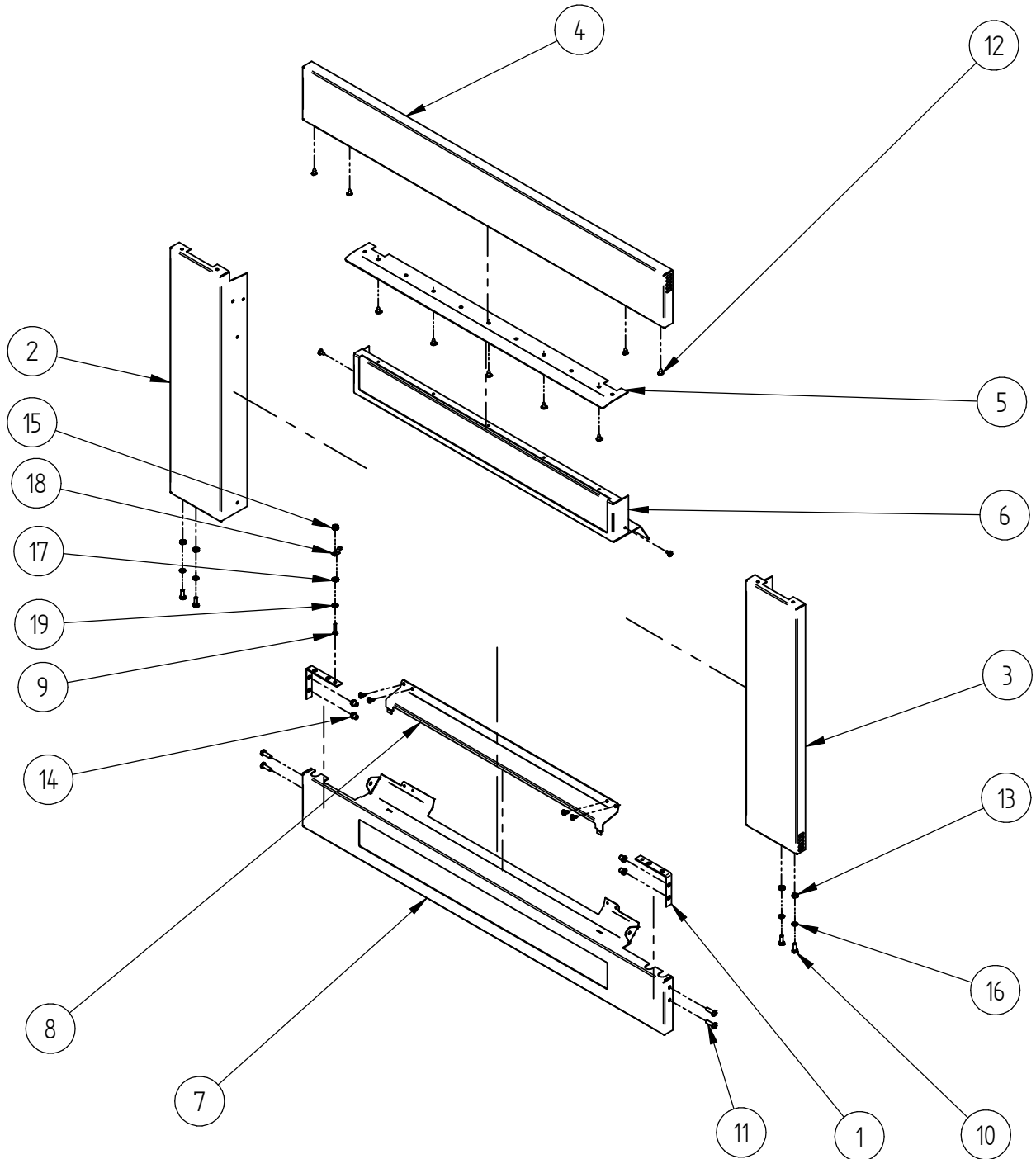


When ordering PLEASE QUOTE PART ID along with Finish Suffix (if applicable)

DOOR ASSEMBLY				
Item	Part ID	Models	Descriptions	Qty
		993916		
1	993621	V02	I5000 WELD DOOR ASM	1
2	993632	-	I5000 RETAINER GLASS	1
3	993653	-	HOOK DOOR LATCH - I5000	1
4	521619	-	SCREW; S/T 8GX1/2" PAN POZI ZP	2
5	521628	-	SCREW; S/T 8GX5/8" CSK POZI ZP	2
6	526202	-	CLIP; CIRCLIP E-CLIP 8 DIA DIN1500 ETC08	1
7	593276	-	PIN PIVOT DOOR CATCH LE4000	1
8	593598	-	I3000 DOOR HANDLE FRONT RH PLASTIC	1
9	593599	-	DOOR HANDLE REAR L/H PLASTIC	1
10	595003	-	GLASS W/FIRE 5X458X243	1
11	C15MMDR	-	DOOR ROPE 15MM X 50m ROLL (MTR)	1
12	C25MMGT	-	GLASS FIBRE TAPE 25x3x50m ROLL (MTR)	1
13*	795003	-	DOOR GLASS KIT	1
14*	793598	-	DOOR HANDLE KIT	1

When ordering PLEASE QUOTE PART ID along with Finish Suffix (if applicable)

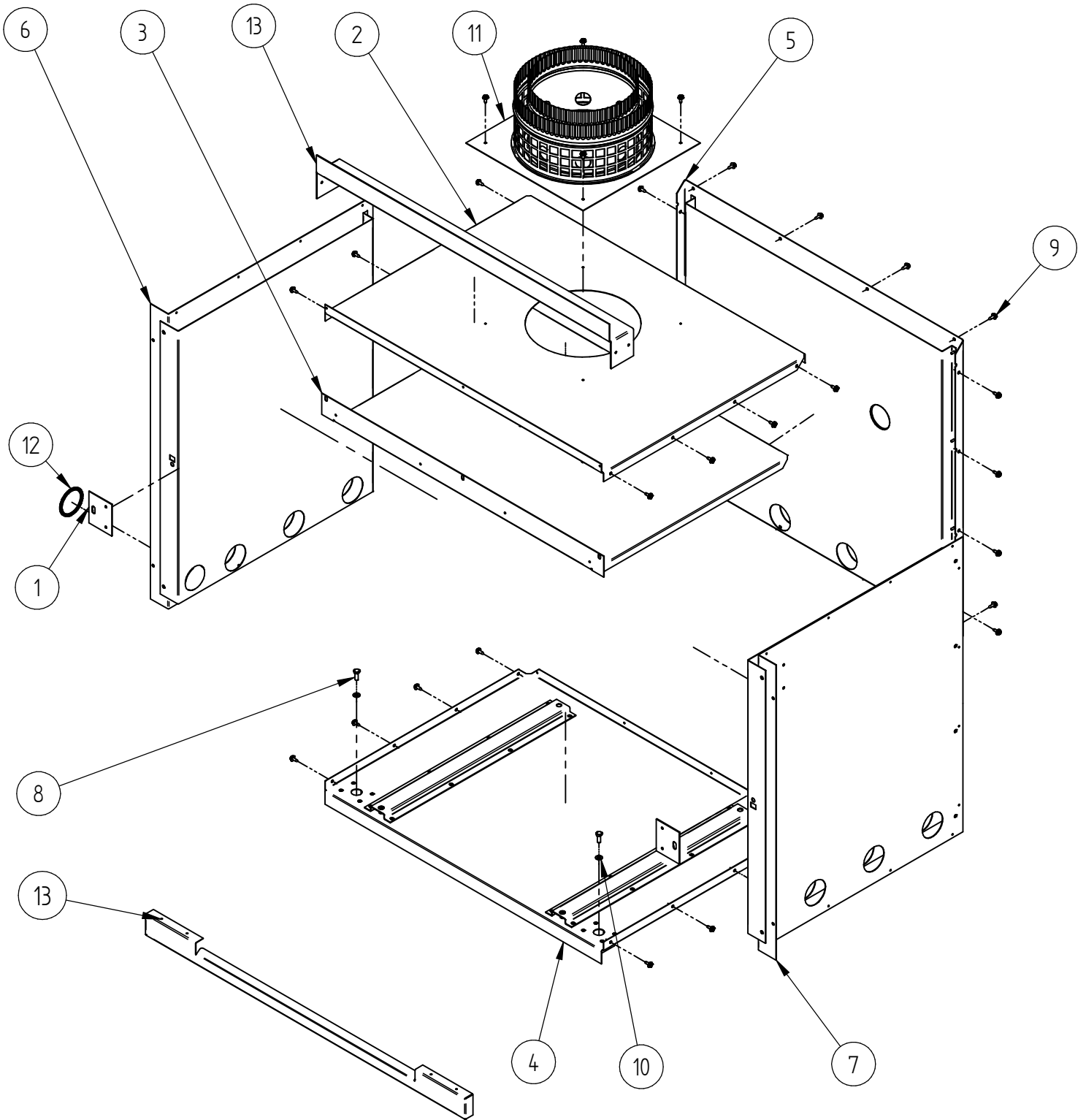
FASCIA ASSEMBLY



When ordering PLEASE QUOTE PART ID along with Finish Suffix (if applicable)

FASCIA ASSEMBLY				
Item	Part ID	Models	Descriptions	Qty
		993916		
1	993356	-	BRACKET-FASCIA I9000	2
2	993612	V02	I5000 FASCIA L/H PANEL	1
3	993613	V02	I5000 FASCIA R/H PANEL	1
4	993614	V02	I5000 FASCIA TOP PANEL	1
5	993626	V02	I5000 VENT DEFLECTOR	1
6	993624	V02	I5000 FASCIA VENT ASSEMBLY	1
7	993633	V02	I5000 FASCIA BOTTOM PANEL ASSM	1
8	993705	V02	I5000 FASCIA COVER - FAN	1
9	521015	-	SCREW; M4X16 PAN SLOT ZP	1
10	521030	-	SCREW; M5X12 HEX ZP	4
11	521033	-	SCREW; M5X16 PAN POZI BLK	4
12	521627	-	SCREW; S/T 8GX3/8" MUSH FLANGE POZI BLK	15
13	522106	-	NUT; HEX STD M5 ZP	4
14	522604	-	M5 RIVNUT	4
15	522800	-	NUT; SERRATED FLANGE M4 ZP	1
16	523029	-	WASHER; FLAT M5 ZP	4
17	523205	-	WASHER; STAR M4 EXT	1
18	596602	-	TAB 6.3mm X 45DEG -4.1mm	1
19	523028	-	WASHER; FLAT M5 BRS	1

When ordering PLEASE QUOTE PART ID along with Finish Suffix (if applicable)



When ordering PLEASE QUOTE PART ID along with Finish Suffix (if applicable)

ZERO CLEARANCE BOX				
Item	Part ID	Models	Descriptions	Qty
		993916		
1	993668	-	BRACKET RESTRAINT, ZC K1	2
2	993680	-	PANEL TOP ZC KIT I5000	1
3	993681	-	PANEL TOP SHIELD ZC KIT I5000	1
4	993700	-	BOTTOM PANEL ASSY Z/C I5000	1
5	993701	-	PANEL REAR ASSY Z/C I5000	1
6	993702	-	PANEL ASSY L/H Z/C I5000	1
7	993703	-	PANEL ASSY R/H Z/C I5000	1
8	521076	-	SCREW; M6X16 HEX ZP	2
9	521643	-	SCREW; S/T 8GX1/2" HEX POZI BLK	36
10	523031	-	WASHER; FLAT M6 ZP	2
11	593374	-	FLANGE- SPIGOT ASSY I9000	1
12	595694	-	GROMMET STRIP 22-PKG010 10m COIL	1
13	993708	-	SUPPORT ANGLE - WALL PANEL ZC KT I5000	1
14	993667	V02	FASCIA BTM PANEL ZC I5000 MAT BLK EN	1

When ordering PLEASE QUOTE PART ID along with Finish Suffix (if applicable)

NOT ILLUSTRATED				
Item	Part ID	Models	Descriptions	Qty
		993916		
1	593664	-	INSTRUCT INSTALLATION 15000 INSERT AU	1
2	593709	-	INSTRUCT INSTALLATION 15000 Z/C AU	1
3	593713	-	INSTRUCT BRICK INSTALL 15000	1

SURFACE FINISH CODES FOR PANELS					
VITREOUS ENAMEL		VHT PAINT(Very High Temp)		POWDER COAT	
E01	MATT BLACK	V02	METALLIC BLACK	P02	MATT BLACK
E02	GLOSS BLACK	V03	CHARCOAL	P03	CHARCOAL
E03	CHARCOAL	V04	TITANIUM	P05	SATIN BLACK
		V05	CHARCOAL (DAM MET BLK)	P09	METTALIC BLACK
		V06	METALLIC BLACK ZINC		

When ordering PLEASE QUOTE PART ID along with Finish Suffix (if applicable)